



Marroney Theatre

Vanities

Stairs - Framing

LINE STYLE KEY		1/4" Facing:	Date: 4/20/2025
		3/4" Facing:	
		Hidden Line:	
Wood:	Director:	Christie Kerr	
Steel:	Technical Director(s):	Sean Goebel	
Foam:	Drafted By:	Riley Baheshone	
	Scale:	As Noted	Scenic Designer: Irene Nguyen

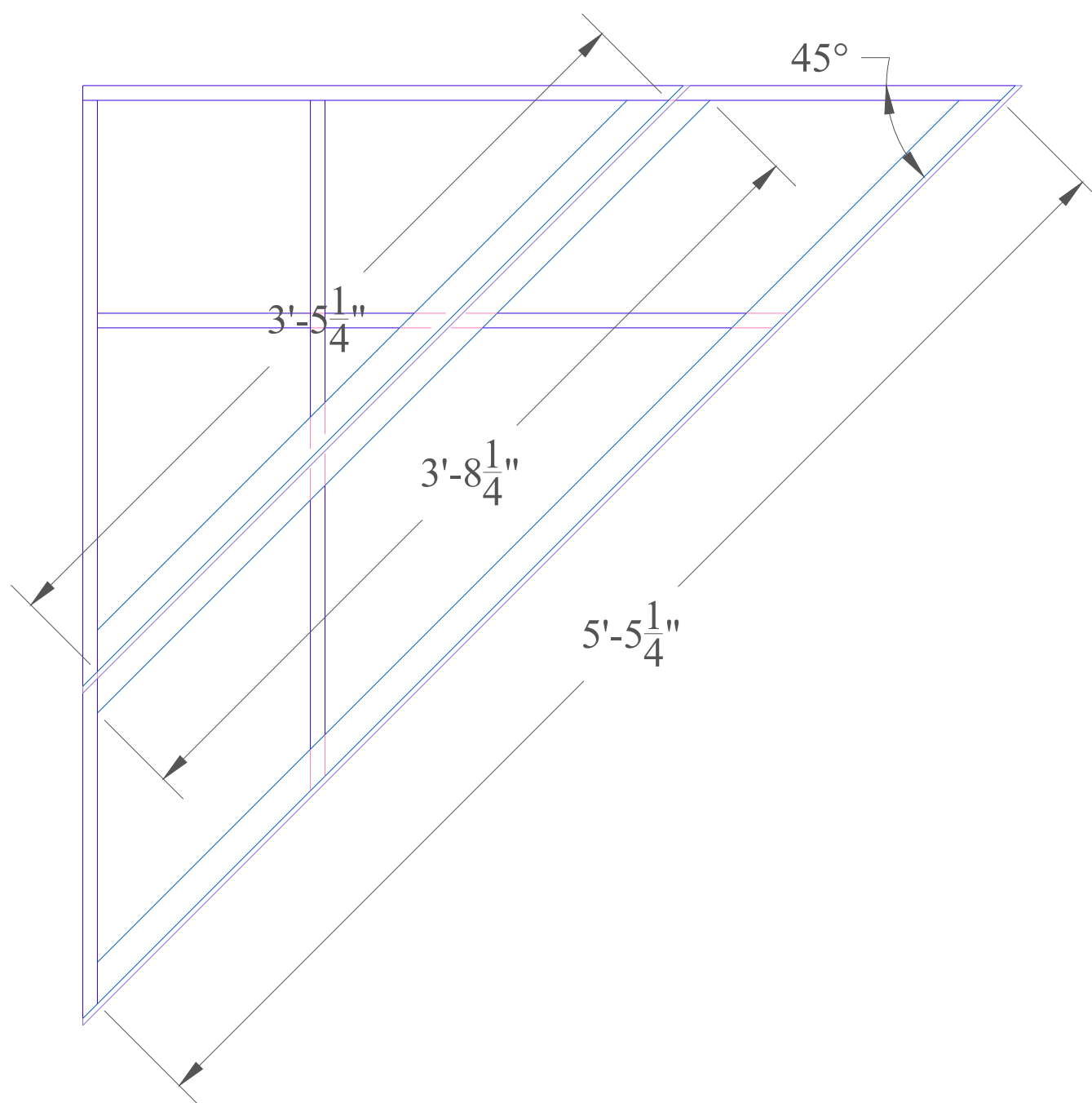
Notes:

Far left show lengths of 2x4.
Look at plate 4 of 4 to confirm amount needed.

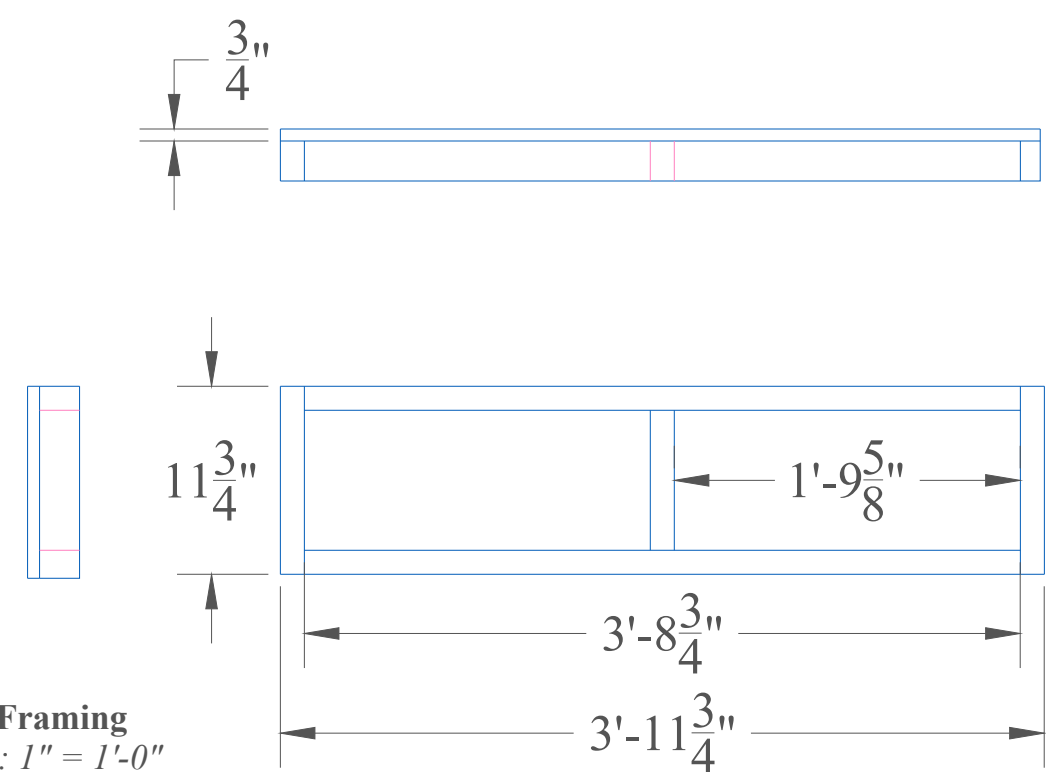
Note all 2x4 has angles

Measure twice, cut once.

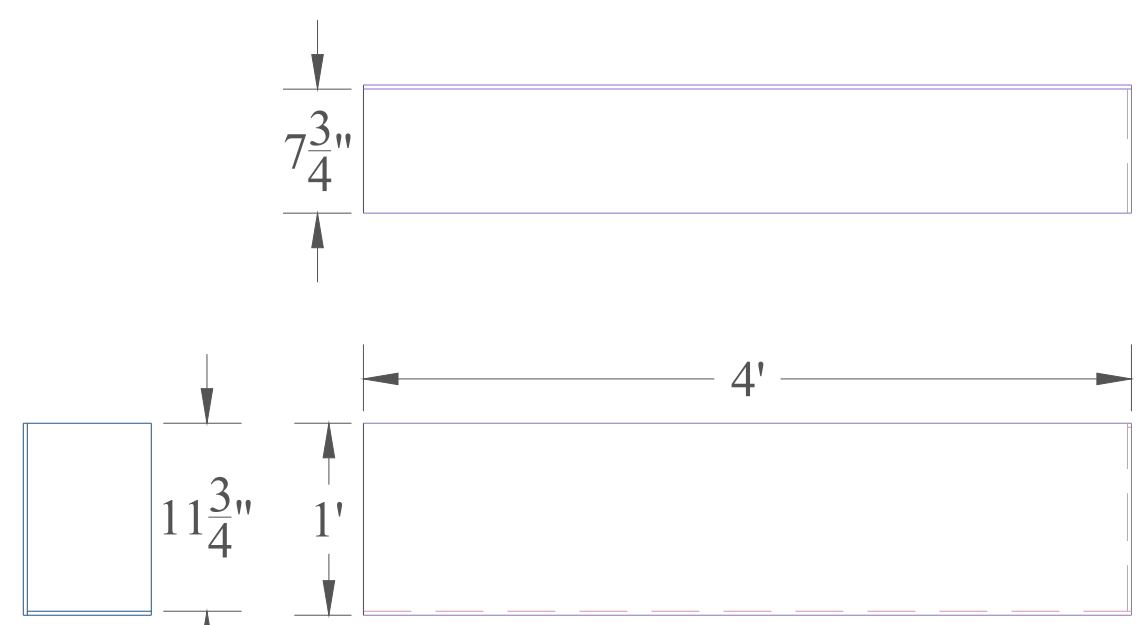
1 of 4



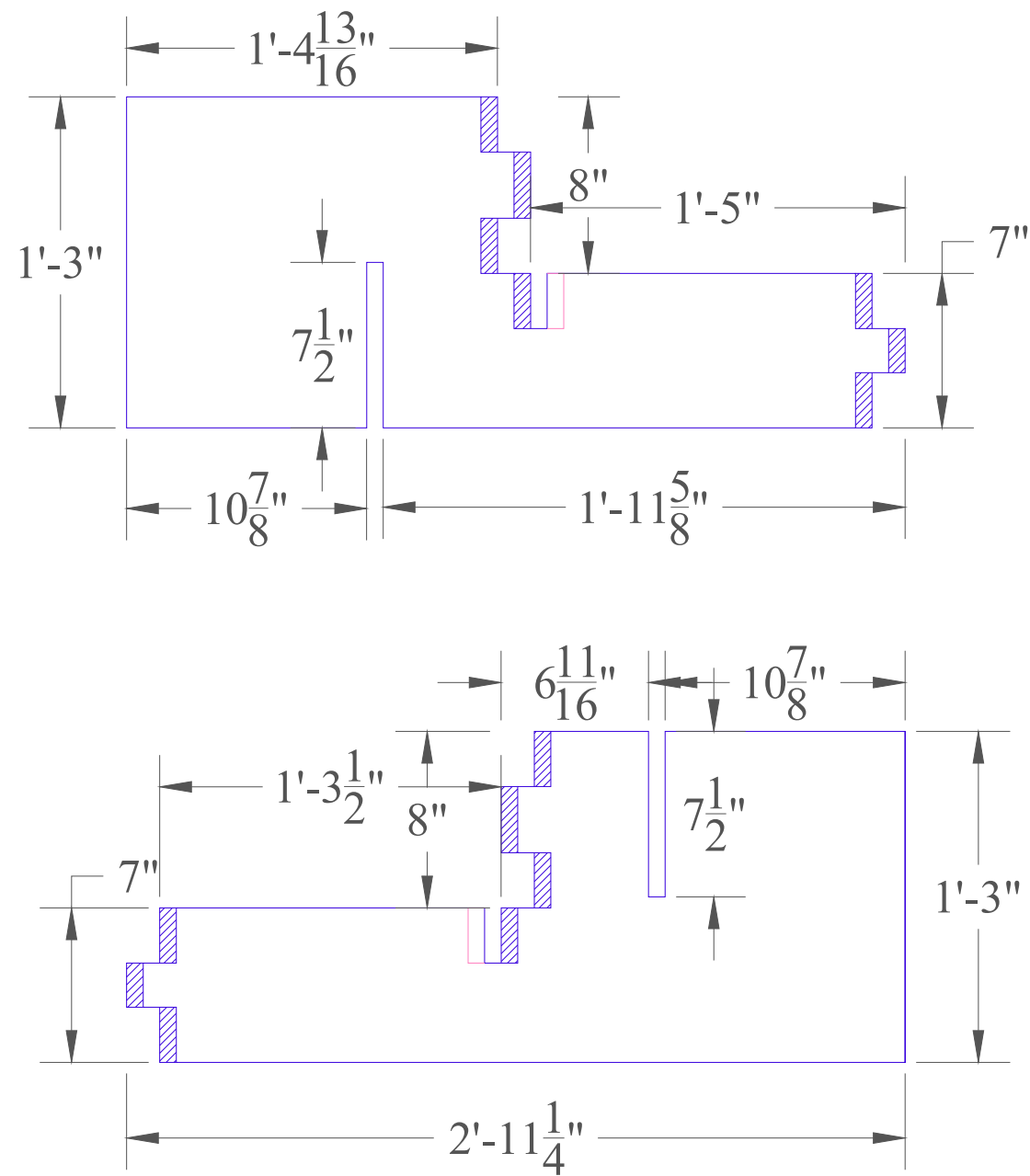
Triangle Step Framing
Scale: 1 1/2" = 1'-0"
 Build 2



Step Framing
Scale: 1" = 1'-0"
 Build 1



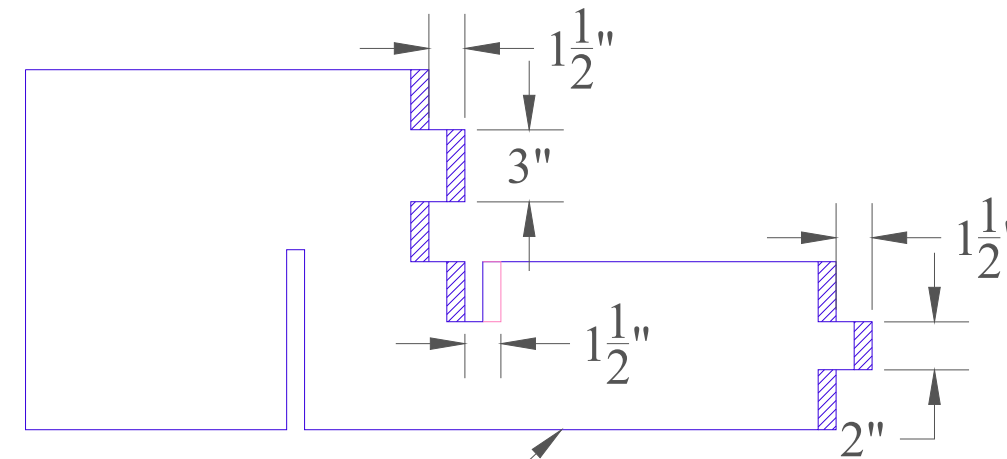
Step Facing
Scale: 1" = 1'-0"
 Build 1



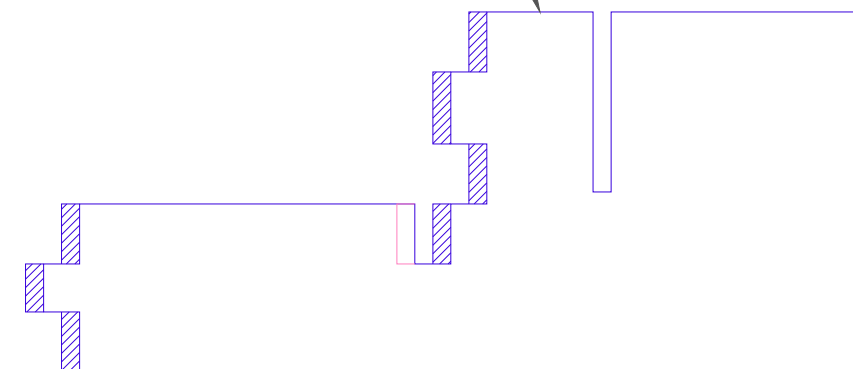
Triangle Step Interior Framing

Scale: $1 \frac{1}{2}'' = 1'-0''$

Build 2



*Note that these should mirror each other



Triangle Step Interior Framing

Scale: $1 \frac{1}{2}'' = 1'-0''$

Build 2



Marroney Theatre

Vanities

Stair - Inside Framing

LINE STYLE KEY			Date: 4/20/2025
Wood:	1/4" Facing:	Hidden Line:	Director: Christie Kerr
Steel:	3/4" Facing:		Technical Director(s): Sean Goebel
Foam:			Drafted By: Riley Baheshone
			Scale: As Noted
			Scenic Designer: Irene Nguyen

Notes:

ALL HATCHES AND HIDDEN LINES SHOW WHERE THE 45 DEGREE CUTS SHOULD BE.

2x4 should be able to slot into where the cuts are.

Measure twice, cut once.

If you have any questions, ask Riley.

2 of 4



Marroney Theatre

Vanities

Triangle Stairs - Framing

LINE STYLE KEY		
Wood:	1/4" Facing:	Hidden Line:
Steel:	3/4" Facing:	
Foam:		

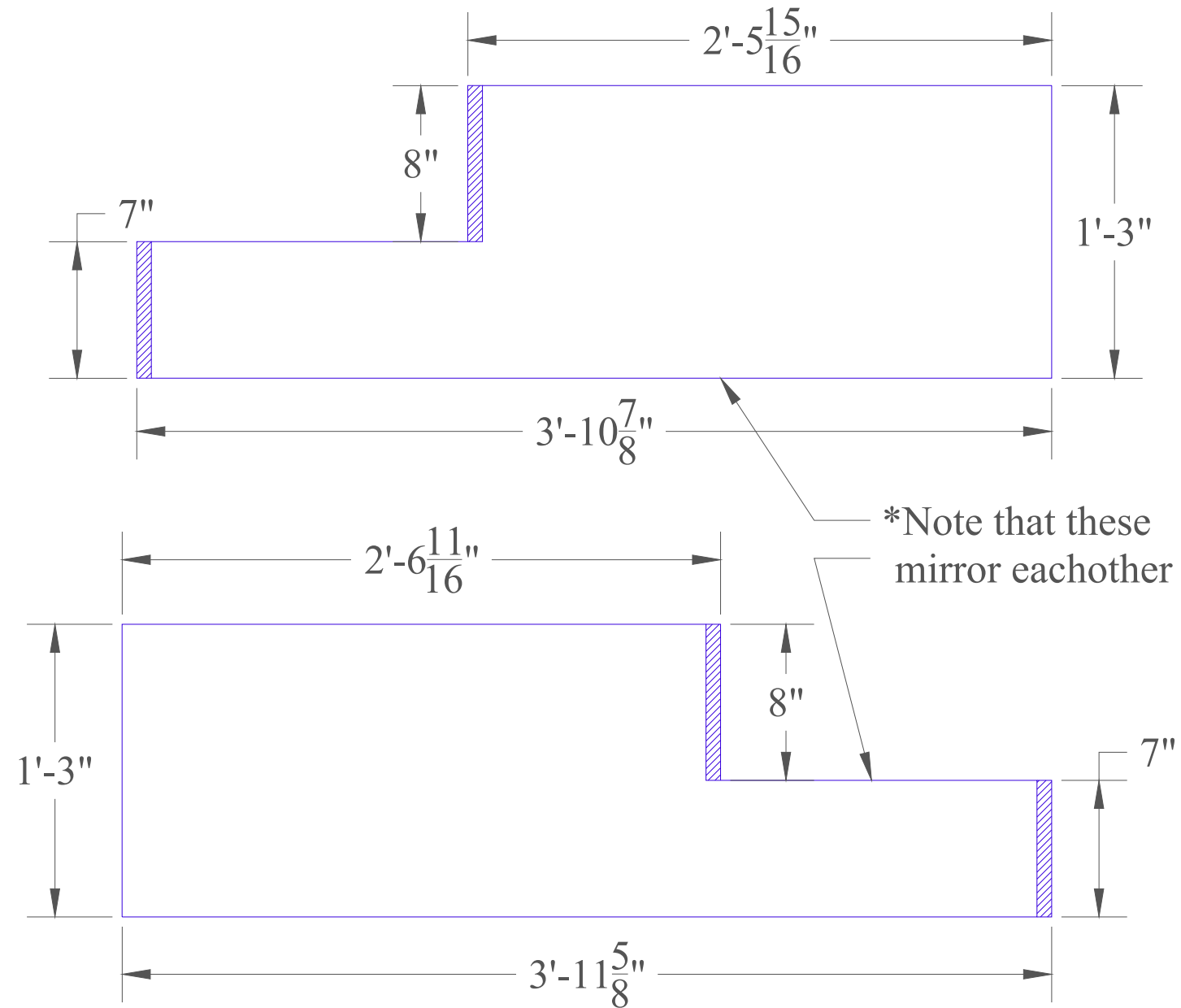
Director:	Christie Kerr	Date:	4/20/2025
Technical Director(s):	Sean Goebel		
Drafted By:	Riley Baheshone		
Scale:	As Noted	Scenic Designer:	Irene Nguyen

Notes:

Please note that hatches are where the angle cuts are being made.

measure twice, cut once

if you have any questions, ask Riley



Triangle Step Exterior Framing

Scale: 1 ¹/₂" = 1'-0"

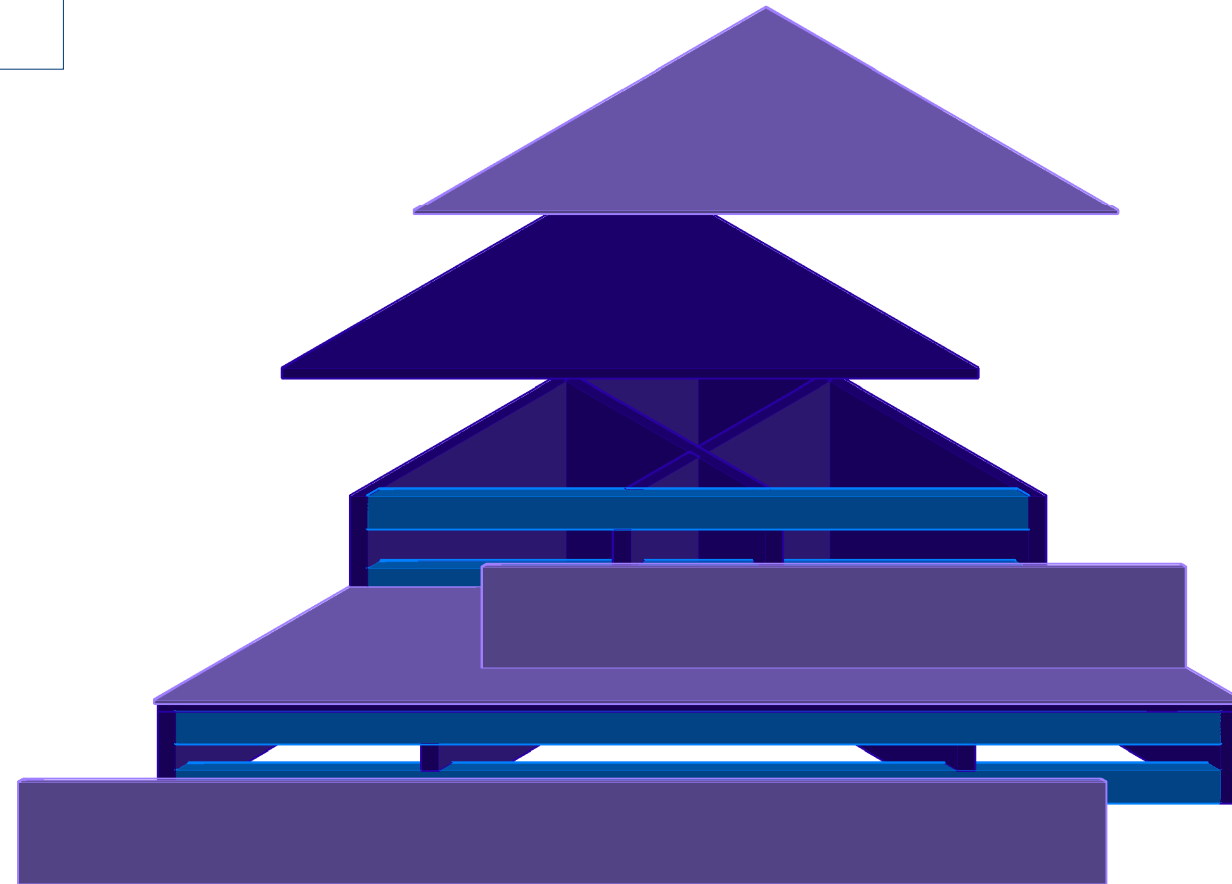
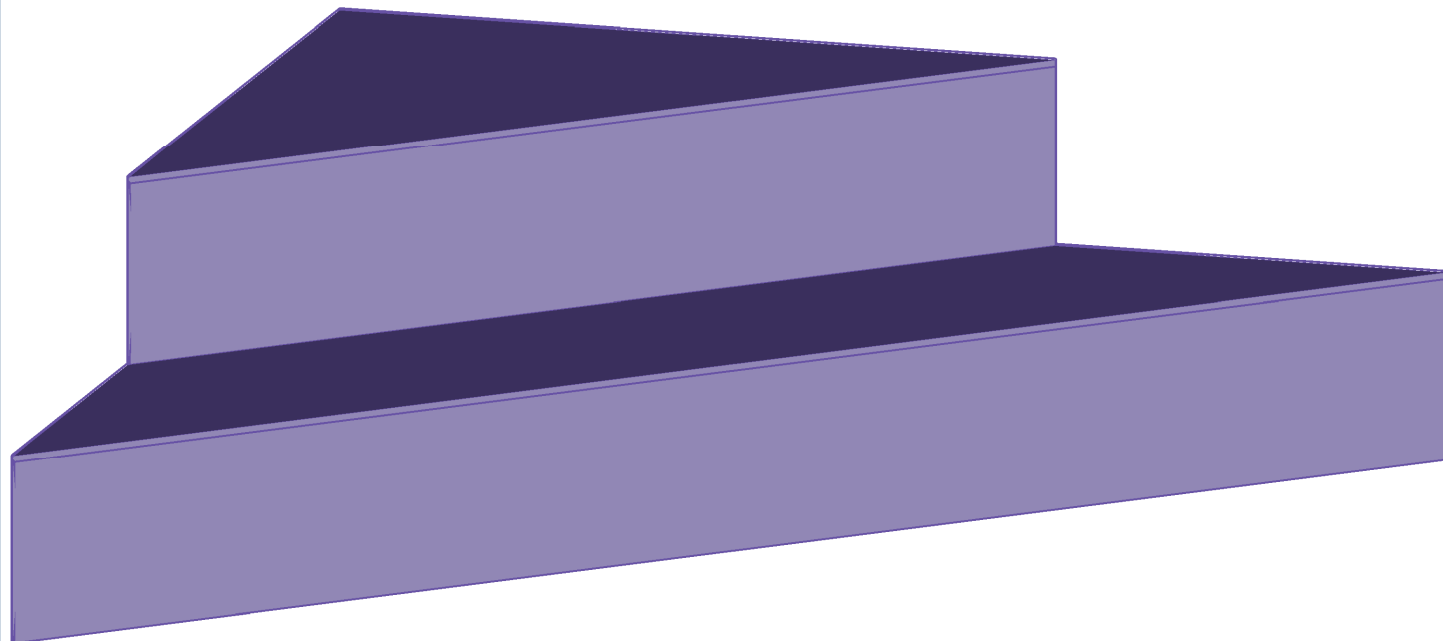
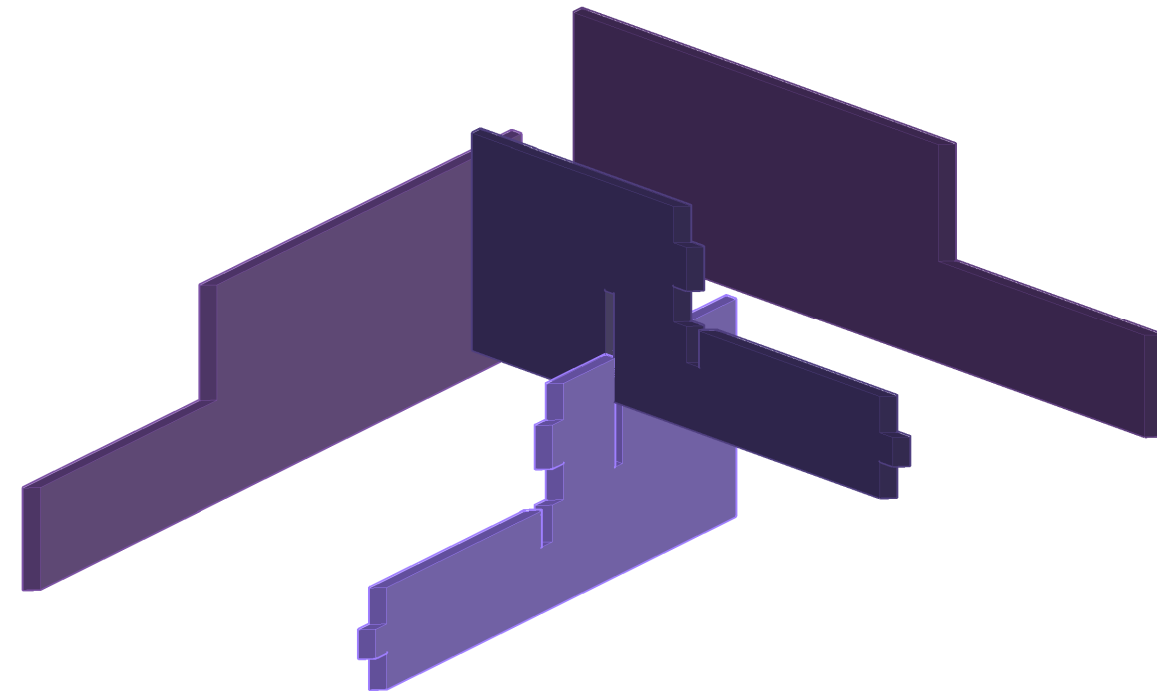
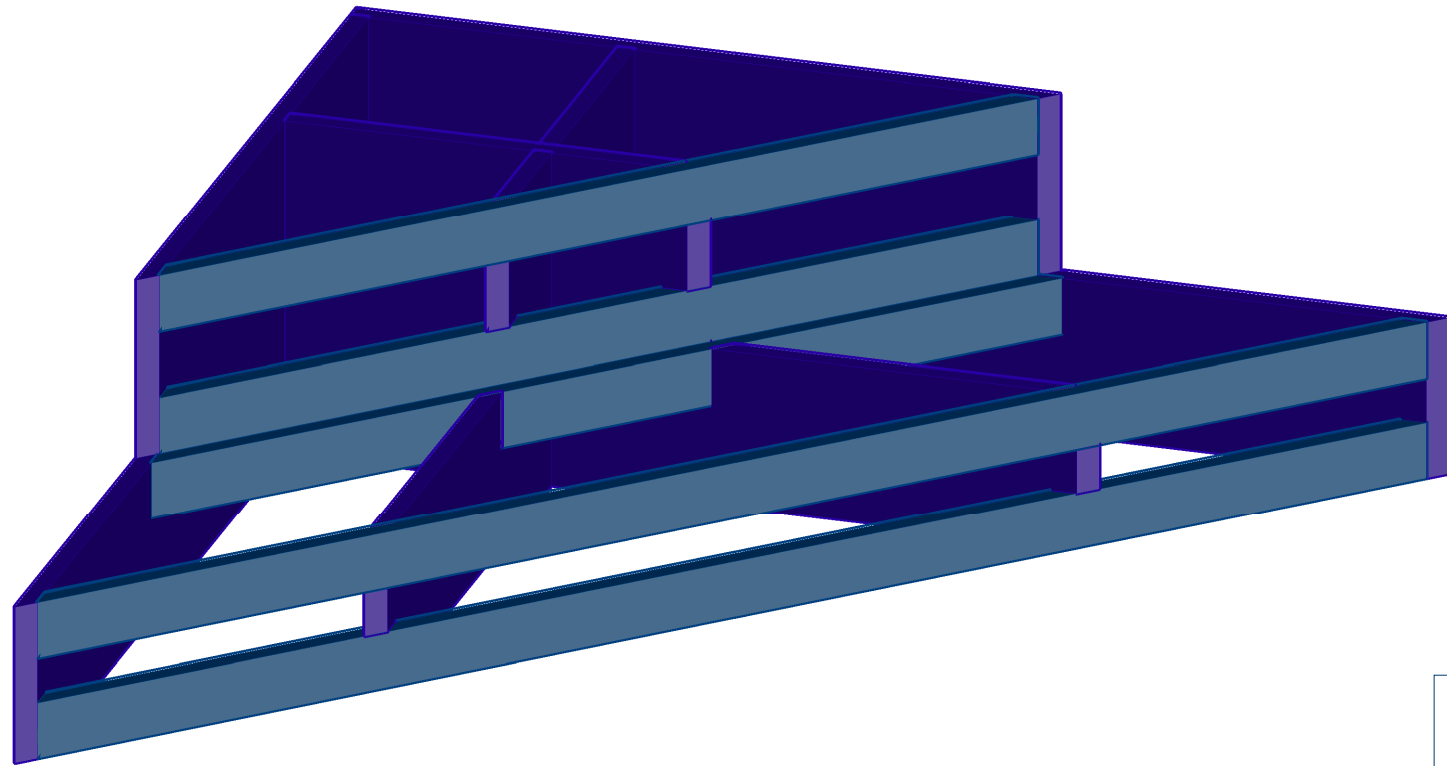
Build 2



Marroney Theatre

Vanities

Stairs Isometric Views



LINE STYLE KEY		
Wood:	1/4" Facing:	
Steel:	3/4" Facing:	
Foam:	Hidden Line:	
Director:	Christie Kerr	Date:
Technical Director(s):	Sean Goebel	
Drafted By:	Riley Baheshone	
Scale:	As Noted	Scenic Designer:
		Irene Nguyen

Notes:
 WE ARE BUILDING TWO OF THESE TOTAL.
 Please note assembly.
 Use Glue, Staples, and Screws for fastening
 If you have any questions, ask Riley



Marroney Theatre

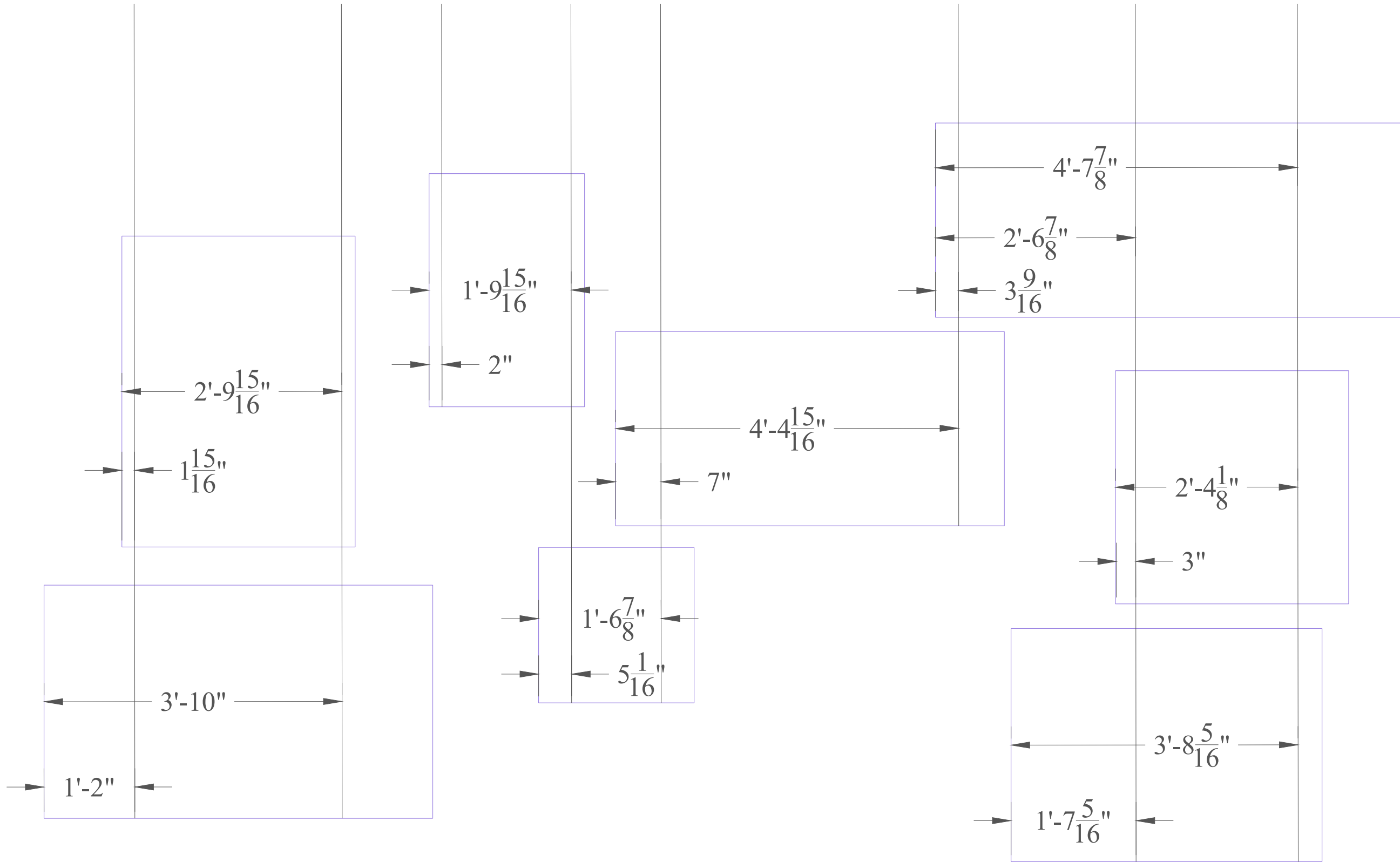
Vanities

Projection Screen Layout

LINE STYLE KEY		
Wood:	1/4" Facing:	Date: 4/20/2025
Steel:	3/4" Facing:	Director: Christie Kerr
Foam:	Hidden Line:	Technical Director(s): Sean Goebel
		Drafted By: Riley Baheshone
		Scale: As Noted
		Scenic Designer: Irene Nguyen

Notes:

This will be used for aircraft cable placement
Drill holes on the steel at what is marked on here





Marroney Theatre

Vanities

Projection Screen Layout

LINE STYLE KEY		
Wood:	1/4" Facing:	Date: 4/20/2025
Steel:	3/4" Facing:	Director: Christie Kerr
Foam:	Hidden Line:	Technical Director(s): Sean Goebel
Drafted By: Riley Baheshone		
Scale: As Noted		
Scenic Designer: Irene Nguyen		

Notes:

This will be used for aircraft cable placement
Drill holes on the steel at what is marked on here

